

3.8  
kWh

## PHI 3.8-M™ Battery



BRIGGS & STRATTON



The **PHI 3.8-M** Battery utilizes advanced Lithium Ferro Phosphate (LFP) chemistry that eliminates cobalt which reduces the risk of thermal runaway, fire propagation, operating temperature constraints, and toxic coolants. When combined with our integrated high-performance Battery Management System (BMS), accessible 80A DC breaker On/Off switch and overcurrent protection (OCPD), the PHI 3.8-M Battery delivers safer, highly efficient and cost-effective service over the life of both residential and commercial installations, on or off-grid. Compatible with all industry standard inverter charge controllers, the PHI 3.8-M Battery supports balance-of-system equipment and optimizes any power generation source - solar, wind, grid, generator - with scalable, on-demand energy storage solutions for critical back-up and daily savings on electricity bills.

### FEATURES



#### Scalable for any energy need

Virtually unlimited scalability to allow for longer-duration storage.



#### Pair with leading inverters

Ready to be integrated industry leading inverters for ease of installation.



#### Lithium Ferro Phosphate (LFP) Chemistry

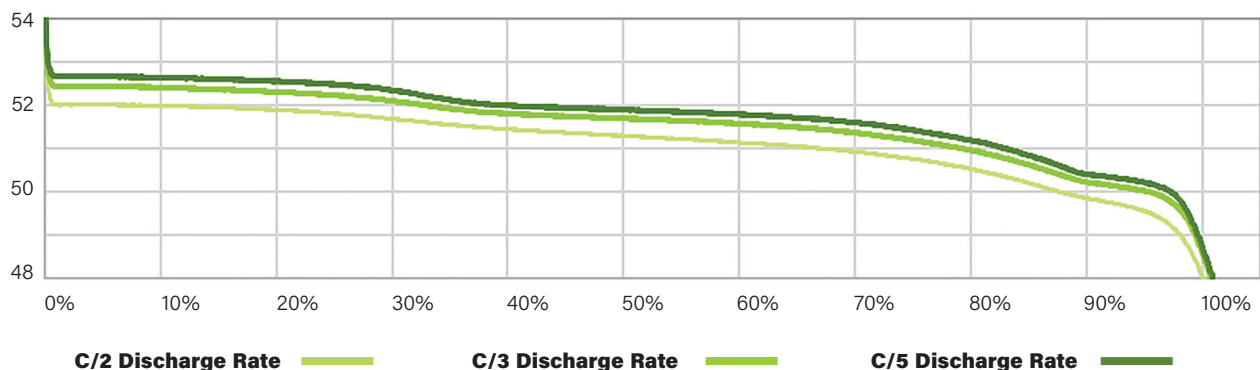
Peace of mind that the elimination of cobalt reduces the risk of thermal runaway, fire propagation, operating temperature constraints, and toxic coolants.



#### Leading safety-tested battery

Ideal for lead acid battery replacement.

### 48V Battery Voltage VS. Discharged Capacity



# 3.8

kWh

## PHI 3.8-M™ Battery

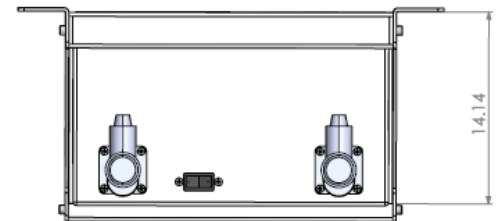
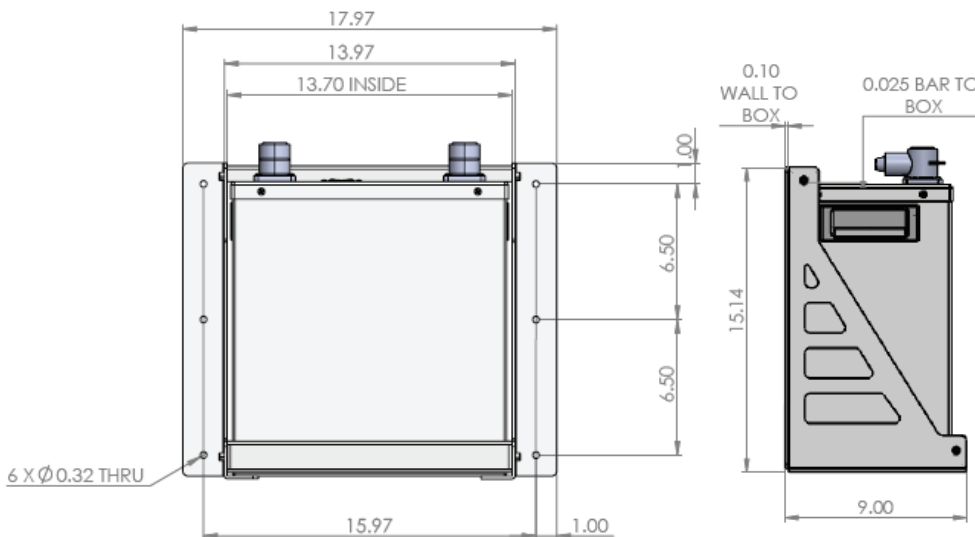
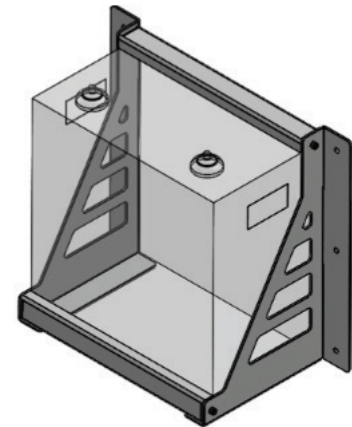


BRIGGS & STRATTON

Specifications		
<b>Model Number</b>	PHI-3.8-24-M	PHI-3.8-48-M
<b>DC Voltage - Nominal</b>	25.6 VDC	51.2 VDC
<b>Amp-Hours</b>	151 Ah	75 Ah
<b>Rated kWh Capacity</b>	3.87 kWh DC @ 100% DOD 3.10 kWh DC @ 80% DOD	
<b>Max. Discharge Rate (10 minutes)</b>	80 Amps DC (2.05 kW DC)	80 Amps DC (4.1 kW DC)
<b>Max. Continuous Discharge Rate</b>	75 Amps DC (1.9 kW DC)	37.5 Amps DC (1.9 kW DC)
<b>Max. Continuous Charge Rate</b>	75 Amps DC (1.9 kW DC)	37.5 Amps DC (1.9 kW DC)
<b>Certifications</b>	UN 3480, Lithium ion batteries, 9, II UL, CE, UN/DOT and RoHS compliant components - UL 1973, UL 1642	
<b>DC Voltage Range<sup>1</sup></b>	24 VDC to 28 VDC	48 VDC to 56 VDC
<b>Depth of Discharge<sup>1</sup></b>	Up to 100%	
<b>Charging Temperature<sup>1</sup></b>	32° to 120° F (0° to 49° C)	

Specifications	
<b>Operating Temperature<sup>1</sup></b>	-4° to 140° F (-20° to 60° C)
<b>Storage Temperature</b>	6 months: 14° to 77° F (-10° to 25° C) 3 months: -4° to 113° F (-20° to 45° C)
<b>Self-Discharge Rate</b>	< 1% per month
<b>Cycle Life</b>	10,000+ cycles (@ 80% DOD)
<b>RTE Efficiency</b>	96%
<b>Warranty</b>	10 Years
<b>Terminals</b>	3/8 IN (10 mm)
<b>Battery Cables</b>	6 AWG MINIMUM

Product Dimensions	
<b>Weight</b>	86 lbs. (39.0 kg)
<b>Dimensions (W x H x D)</b>	13.5 x 14 x 8 in. (15.5" H w/terminals) / 0.88 ft <sup>3</sup> (34.3 x 35.6 x 20.3 cm / 0.025 m <sup>3</sup> )



<sup>1</sup> Max operating ranges. Refer to Installation Manual for recommended conditions.

All specifications listed are typical/nominal and subject to change without notice.

Engineered and Manufactured in California, USA

Briggs & Stratton has a policy of continuous product improvement and reserves the right to modify its specifications at any time and without prior notice. Please visit BRIGGSandSTRATTON.com for the latest information.

BS1397 - 8/22

**BRIGGS & STRATTON**  
POST OFFICE BOX 702  
MILWAUKEE, WI 53201 USA